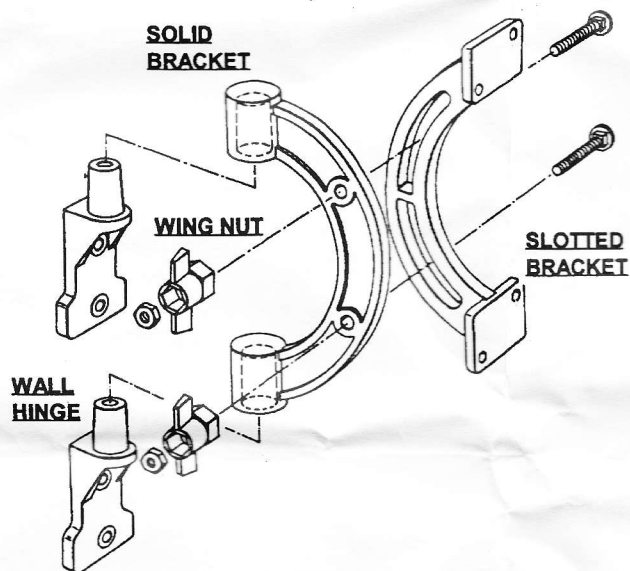

BT1 - TILT & SWIVEL SPEAKER WALL MOUNT

Assembly & Mounting Instructions



- PARTS LIST:**
- 4 Wall Hinges
 - 2 Slotted Brackets
 - 2 Solid Brackets
 - 4 Bolts
 - 4 Wing Nuts
 - 8 Self Tapping Screws
3/4" (19mm)
 - 8 Screws 1 1/2" (38mm.)
 - 8 Wall Plugs

MOUNTING INSTRUCTIONS FOR BT1 LOUDSPEAKER BRACKETS

- 1/. Push *Wall Hinges* firmly into the holes in the *Solid Brackets*. Hold against mounting wall and mark screw holes.
- 2/. Using a 6.0mm masonry bit, drill the wall to a depth of 38mm(1 1/2"). Insert the red plastic plugs and screw *Wall Hinges*[1] to wall using the larger 38mm (1 1/2") screws.
On plaster board wall special fixings available from D.I.Y. stores will be needed.
- 3/. Fit *Slotted Brackets* to rear of Loudspeakers using the 19mm (3/4") screws.
- 4/. Fit *Slotted brackets* to *Solid Brackets* using the 25mm Bolts and *Wing Nuts*. Adjust to optimum listening position.

NOTE: B-TECH INTERNATIONAL LTD. WILL NOT ACCEPT RESPONSIBILITY FOR DAMAGE, LOSS OR PERSONAL INJURY RESULTING FROM IMPROPER FIXING OR USE OF THIS WALL MOUNT.

B-TECH