



BT332

HOME CINEMA SPEAKER WALL MOUNT INSTALLATION GUIDE & PARTS LIST

This Pack Contains 2 Speaker Mounts

mountlogic®

PLEASE KEEP THIS FOR FUTURE REFERENCE



FEATURES

- Designed for small home cinema speakers weighing up to 5kg (11lbs)
- Mounts speakers only 72mm (2.8") from wall
- Suitable for single point, dual point and keyhole fixings
- Distance between dual point fixings: 51 – 67mm (2" – 2.6")
- Suitable for speakers using M5, M6, UNC 1/4" & Wood Screws
- Simple installation with all mounting hardware included

REG DESIGN NO: 3007645
PATENT NO: 1546599
US PATENT NO: 7523906



CONTENTS

Installation Safety Instructions.....	2
Parts List.....	4
Installation Instructions.....	6
Product Dimensions.....	11
B-Tech Contact Details.....	12

INSTALLATION TOOLS REQUIRED

Crosshead /
Flathead screwdriver



Drill



6mm (1/4") masonry bit
or 3mm (1/8") wood bit



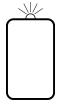
Pencil



Level
(optional)



Stud finder
(optional)



B-TECH AUDIO VIDEO MOUNTS

www.btechavmounts.com

INSTALLATION SAFETY INSTRUCTIONS



CAUTION: This wall mount is intended for use only with the maximum weights indicated. Use with speakers heavier than the maximum indicated may result in instability causing possible injury.

Do not attempt to install this product until all instructions and warnings have been read and properly understood. Please keep these instructions for future reference.

B-Tech International Limited, its distributors and dealers are not liable or responsible for damage or injury caused by improper installation, improper use or failure to observe these safety instructions. In such cases, all guarantees will expire.

General

B-Tech International Ltd recommends that a professional AV installer or other suitably qualified person install this product. Great care must always be taken during installation as most AV equipment is of a fragile nature, possibly heavy and easily damaged if dropped.

If you do not fully understand the instructions or are not sure how to install this product safely, then please consult a professional for advice and/or to install this product for you. Failure to mount this product correctly may cause serious injury or death both during installation and at any time thereafter.

Do not mount any AV equipment that exceeds the specific weight limit of the product you are installing. This weight limit will be clearly stated on each product and its packaging and will vary from product to product.

Product location

Please pay careful attention to where this product is located. Some walls are not suitable for installation.

If located in a public or frequently populated area ensure that the product is out of the immediate reach of people. If any AV equipment is to be suspended over the likely path or location of people then great care should be taken to secure all parts of the installation from falling.

If you install this product on drywall it must be securely fixed to a wooden stud, concrete block or other permanent structure behind the drywall board. Installing on drywall boards alone will not support the weight of most AV equipment.

When drilling holes in walls it is essential to avoid contact with electrical cables and water or gas pipes contained within. Use of a good quality live wire detector and hidden object locator is therefore recommended. Only drill into structures when you are sure it is safe to do so.

Fixing hardware

It is highly recommended that all wall fixing screws be used where supplied and that the purpose of all other fixing hardware is fully understood. In some cases more AV equipment fixing hardware will be supplied to accommodate different models of equipment and set up configurations.

The installer must be satisfied that any supplied fixing hardware is suitable for each specific installation. If any fixing screws or included hardware are deemed not sufficient for a safe installation then please consult a professional or your local hardware store.

Hazard limitation

When routing cables take advantage of any built in cable management features that the product might provide and ensure that all cables are tidy and secure. Check to see that any moving aspect of the product can do so unhindered by any cabling.

Some products have moving parts and the potential to cause injury through the crushing or trapping of fingers or other body parts.

Particular attention to the nature of moving parts is required especially when assembling installing and adjusting during set up.

Immediately after installations double-check that the work done is safe and secure. Double-check all necessary fixings are present and are of ample tightness.

It is recommended that periodic inspections of the product and its fixing points are made as frequently as possible to ensure that safety is maintained. If in doubt consult a professional AV installer or other suitably qualified person.

CS

Společnost B-Tech International Ltd. doporučuje provést instalaci tohoto produktu prostřednictvím odborného instalátora AV či jinak způsobilé osoby. Společnost B-Tech International Ltd, její distributoři a prodejci nenesou odpovědnost za škody nebo zranění způsobená nevhodnou instalací. Tento výrobek je nutno umístit do vhodné konstrukce a používat jen po uvedené maximální výšce.

DE

B-Tech International Ltd. empfiehlt, dass dieses Produkt durch einen qualifizierten AV-Techniker oder eine andere Person mit geeigneter Qualifikation installiert wird. B-Tech International Ltd, ihre Distributoren und Händler können nicht für durch fehlerhafte Montage verursachte Beschädigung oder Verletzung haftbar bzw. verantwortlich gemacht werden. Dieses Produkt muss auf eine geeigneten Untergrund montiert werden und darf nur bis zum angegebenen Höchstgewicht verwendet werden.

ES

B-Tech International Ltd. recomienda que un instalador de audio y video profesional u otra persona debidamente cualificada instalen este producto. B-Tech International Ltd, sus distribuidores y concesionarios no se hacen cargo ni se responsabilizan de ningún daño o lesión provocados por una instalación inapropiada. Este producto se debe montar en una estructura adecuada y se debe utilizar soportando solamente hasta el peso máximo indicado.

FR

B-Tech International Ltd. recommande de confier l'installation de ce produit à un installateur AV professionnel ou à une autre personne dûment qualifiée. B-Tech International Ltd, ses distributeurs et ses revendeurs ne sauraient être tenus responsables de tout dégât ou de toute blessure résultant d'une installation incorrecte. Ce produit doit être monté sur un support approprié et utilisé dans la limite du poids maximum indiqué.

IT

B-Tech International Ltd. consiglia di affidare l'installazione di questo prodotto a un installatore specializzato o ad altra persona adeguatamente qualificata. B-Tech International Ltd, i suoi distributori e rivenditori non accettano alcuna responsabilità nei riguardi di eventuali danni o infortuni causati da un'errata installazione. Questo prodotto deve essere fissato a una struttura idonea e utilizzato unicamente sino al peso massimo indicato.

NL

B-Tech International Ltd. adviseert om dit product te laten installeren door een professionele AV-instalateur of andere hiervoor gekwalificeerde persoon. B-Tech International Ltd, haar distributeurs en dealers zijn niet aansprakelijk of verantwoordelijk voor schade of letsel die is veroorzaakt door onoordeelkundige installatie. Dit product moet worden gemonteerd aan een geschikte constructie, waarbij het aangegeven maximum gewicht niet mag worden overschreden.

PL

Firma B-Tech International Ltd. zaleca, aby ten produkt był instalowany przez profesjonalnych instalatorów AV lub inny odpowiednio przeszkolony personel. Firma B-Tech International Ltd, jej dystrybutorzy i dealerzy nie ponoszą odpowiedzialności za uszkodzenia lub obrażenia ciała powstałe w wyniku nieprawidłowej instalacji. Niniejszy produkt musi być zamontowany na odpowiedniej powierzchni, a podczas użytkowania nie wolno przekraczać podanego maksymalnego obciążenia.

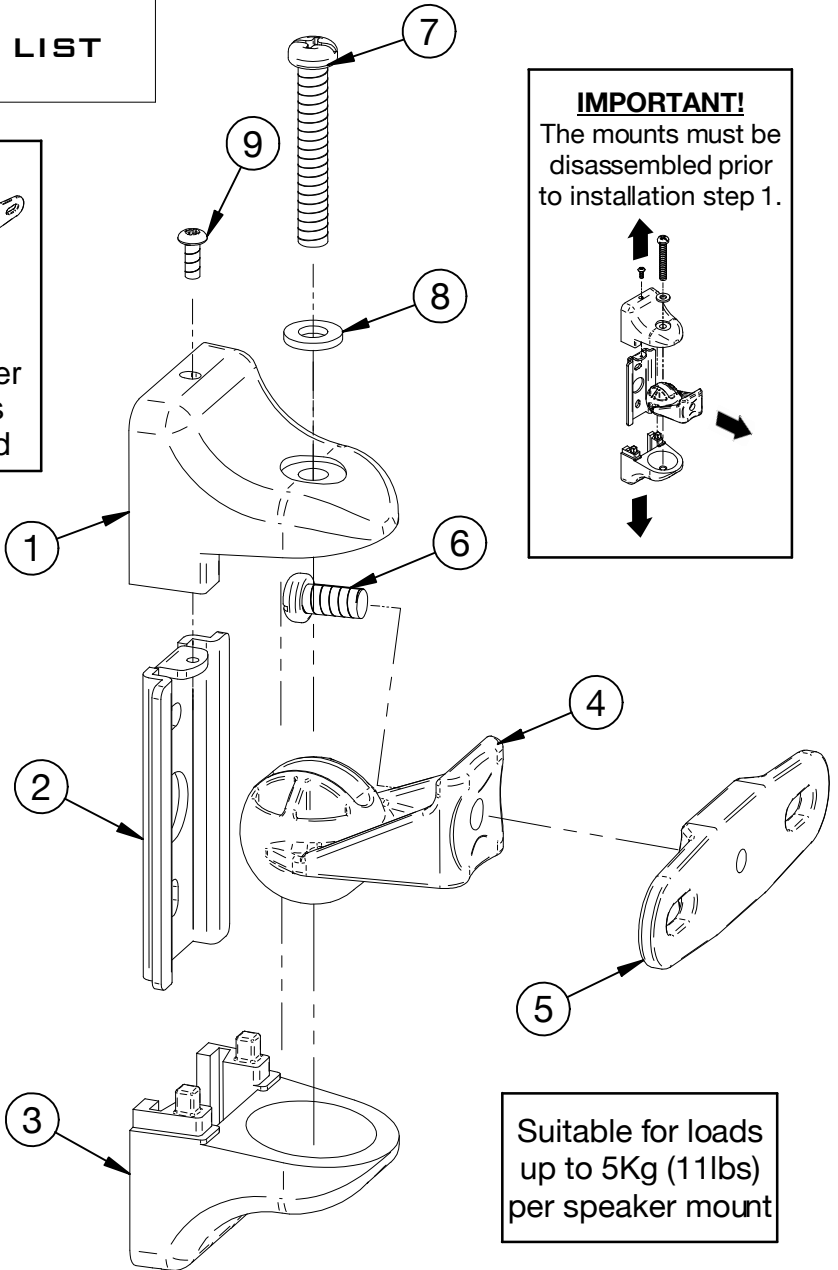
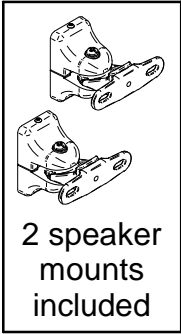
PT

A B-Tech International Ltd. recomenda que a instalação deste produto seja efectuada por um instalador de AV profissional ou outra pessoa devidamente habilitada. A B-Tech International Ltd. e os seus distribuidores e concessionários não são responsáveis por danos ou lesões causados por uma instalação incorrecta. Este produto tem de ser montado numa estrutura adequada e utilizado somente até ao peso máximo indicado.

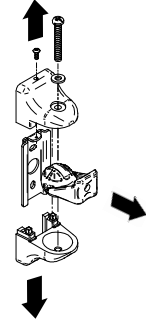
RU

Компания B-Tech International Ltd. рекомендует, чтобы установка данного изделия производилась инженером по установке аудио-видеотехники или другим специалистом с соответствующей квалификацией. Компания B-Tech International Ltd., ее дистрибьюторы и дилеры не несут ответственности за повреждения или травмы, полученные в результате неправильной установки. Данное изделие должно

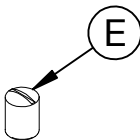
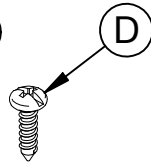
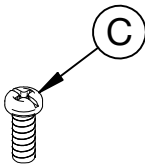
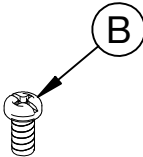
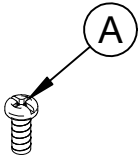
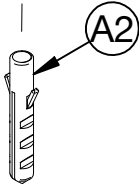
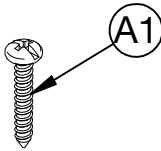
PARTS LIST



IMPORTANT!
The mounts must be disassembled prior to installation step 1.



Suitable for loads up to 5Kg (11lbs) per speaker mount



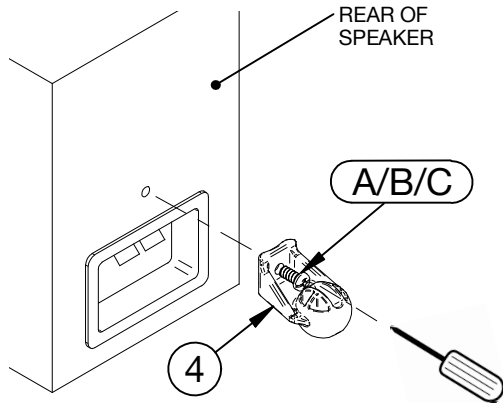
REF	PART NAME	QTY
1	TOP BALL CLAMP	2
2	WALL PLATE	2
3	BOTTOM BALL CLAMP	2
4	BALL INTERFACE	2
5	ADAPTOR INTERFACE	2
6	M6 X 12 SLOTTED CROSS COMBI SCREW (FOR PART 5)	2
7	M6 X 40 SLOTTED CROSS COMBI SCREW	2
8	WASHER (STEEL) M6 OD13 T1.6 (FOR PART 7)	2
9	M3 X 8 SLOTTED CROSS COMBI SCREW	2
INTERFACE KIT		
A	M5 X 12 SLOTTED CROSS COMBI SCREW	4
B	M6 X 12 SLOTTED CROSS COMBI SCREW	4
C	UNC 1/4" X 5/8" SLOTTED CROSS COMBI SCREW	4
D	M4.2 X 19 SLOTTED CROSS COMBI WOOD SCREW (No.8 X 3/4")	4
E	KEYHOLE INSERT	2
FIXING KIT		
A1	M4.8 X 32 SLOTTED CROSS COMBI WOOD SCREW	4
A2	No 6 WALL PLUG (FOR PART A1)	4

INSTALLATION INSTRUCTIONS

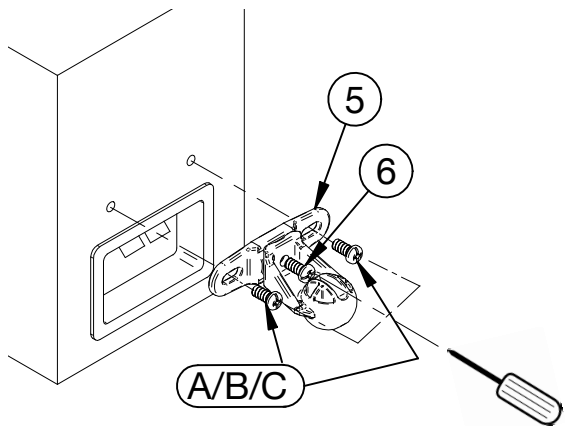
The mounts must be disassembled prior to installation step 1.

- 1** Choose one of the four fixing methods shown that suits your speaker fixings. Attach part 4 to the speaker using screws A, B, C or D, or for keyhole fixings use screw A and part E.

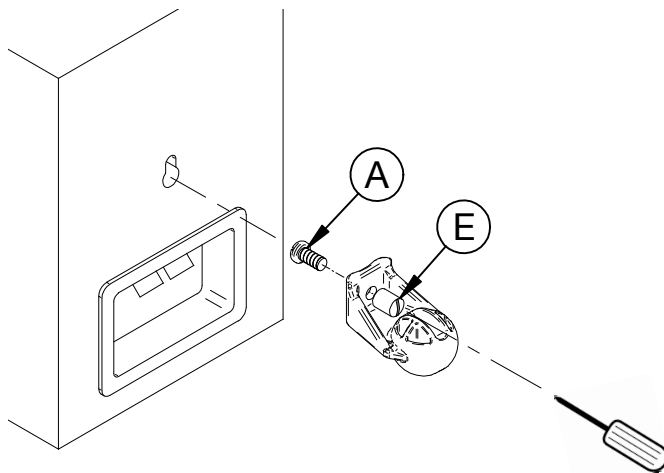
i. Single threaded insert.



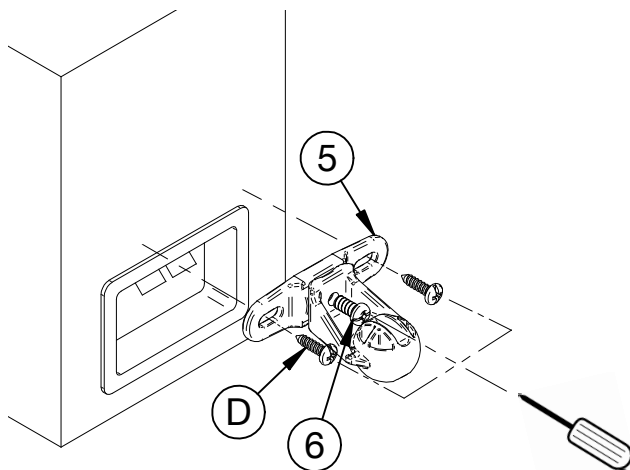
ii. Dual threaded insert.



iii. Keyhole insert.

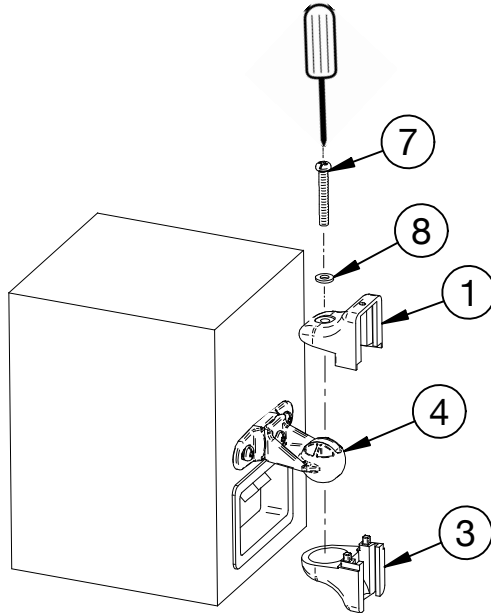


iv. No insert.

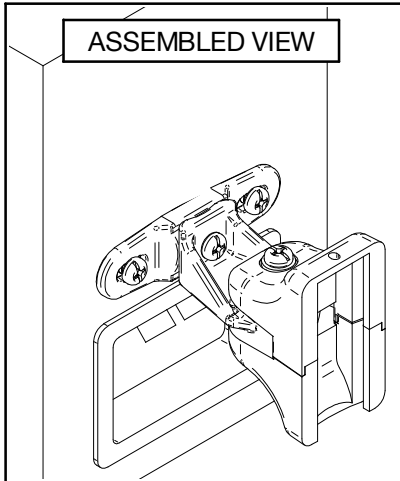


2

Attach parts 1 & 3 to part 4 using parts 7 & 8.



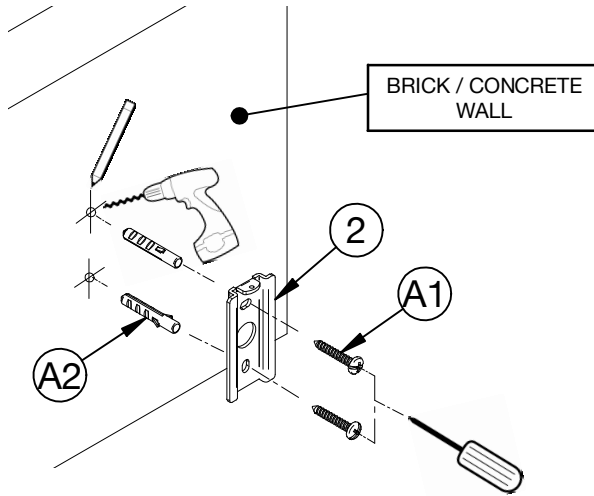
ASSEMBLED VIEW



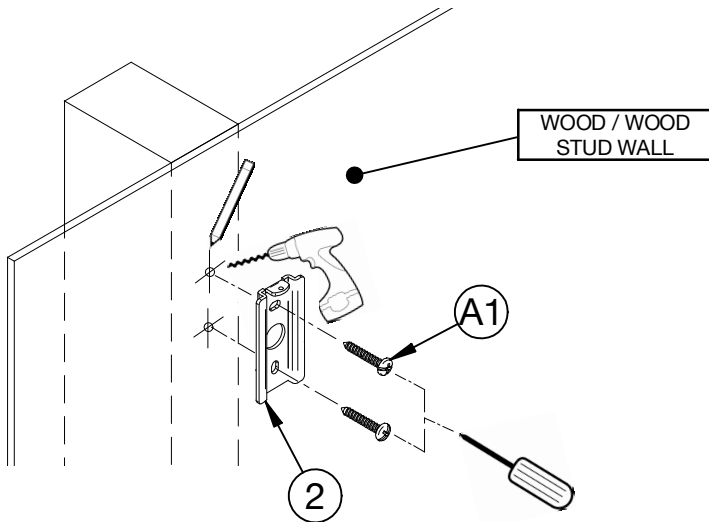
3

Fix part 2 to the wall using one of the two methods shown.

i. Brick / concrete walls.

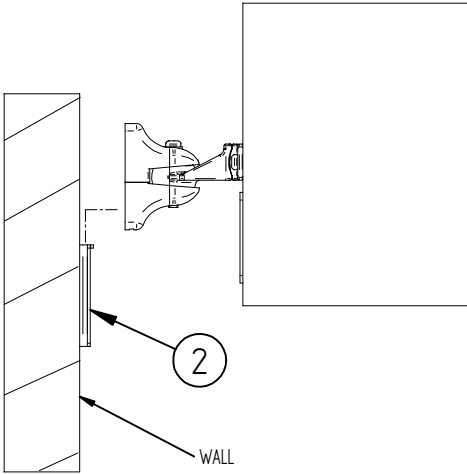


ii. Wood / wood stud walls.



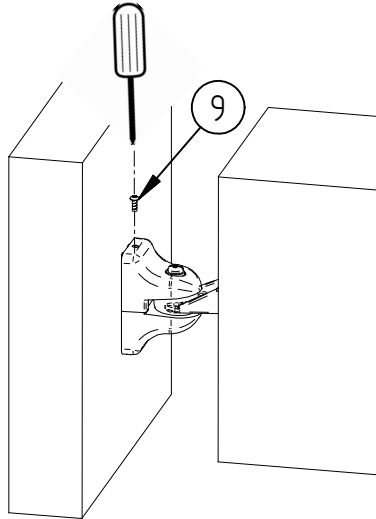
4

Hook the mount onto part 2.



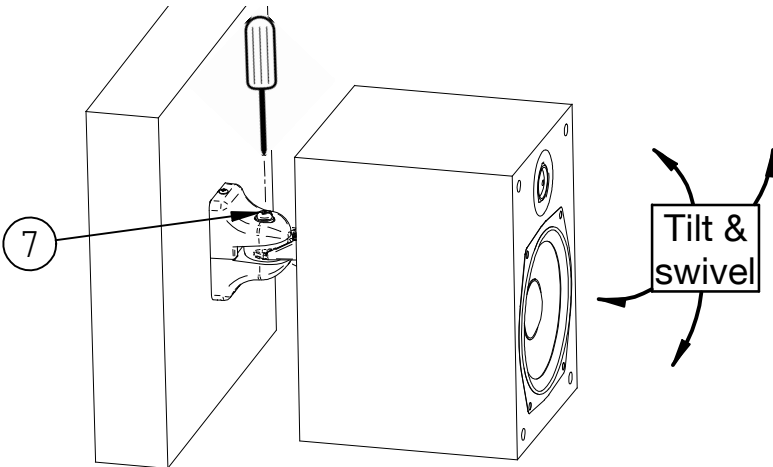
5

Secure the mount to part 2 using part 9.



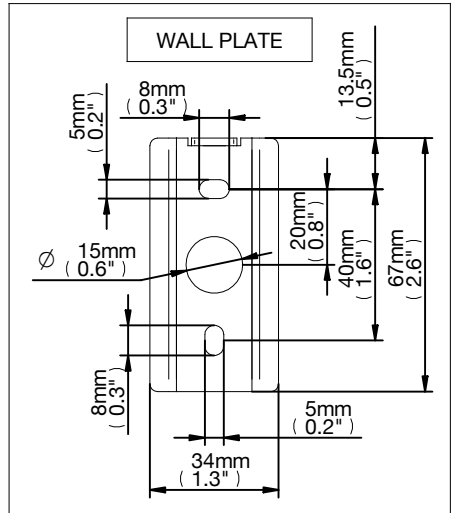
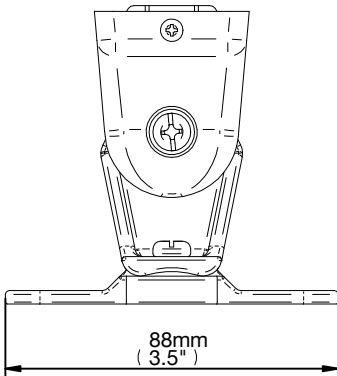
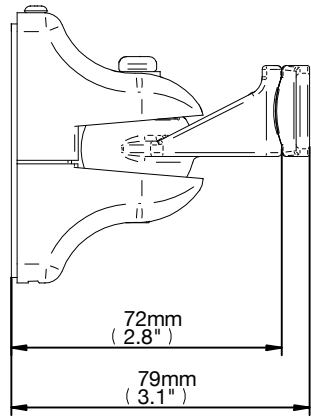
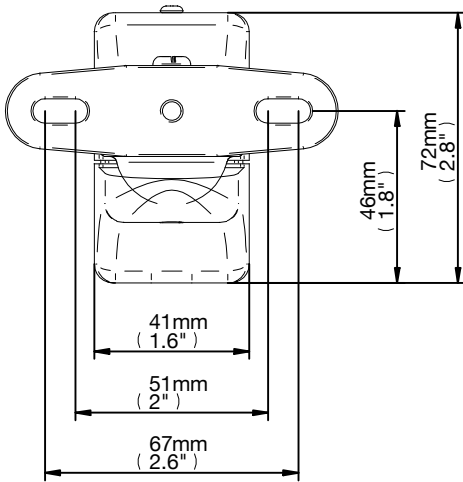
6

To adjust the tilt and swivel, slightly loosen part 7 then adjust the speaker position. Finally, retighten part 7 to fix the speaker position.



10

BT332 PRODUCT DIMENSIONS





BETTER BY DESIGN™

www.btechavmounts.com

B-TECH AUDIO VIDEO MOUNTS

Head Office

B-TECH INTERNATIONAL LIMITED

Bennett House, Long March, Daventry, Northants NN11 4NR, UK

Email: info@btechavmounts.co.uk

Europe

B-TECH PRO-AV BVBA

Brixtonlaan 32, Zaventem 1930,
Brussels, Belgium

Email: info@btechproav.com

North America

B-TECH AUDIO VIDEO MOUNTS

203 Eggert Road,
Buffalo, NY 14215, USA

Email: info@btechavmounts.com

Asia Pacific

B-TECH AV MOUNTS PTE LTD

Ruby Industrial Complex,
Singapore 347740

Email: info@btechavmounts.com.sg

China

B-TECH INTERNATIONAL (Hong Kong) LTD

1503 Prosperity Millennia Plaza,
Quarry Bay, Hong Kong

Email: info@btechavmounts.com.hk

COPYRIGHT 2009 © B-TECH INTERNATIONAL LTD.

THE B-TECH NAME, THE B-TECH LOGO, BETTER BY DESIGN AND MOUNTLOGIC, ARE ALL REGISTERED TRADEMARKS OF B-TECH INTERNATIONAL LTD.
ALL B-TECH IMAGES AND SYMBOLS ARE EXCLUSIVE PROPERTY OF B-TECH INTERNATIONAL LTD.

V.180609 - OR2BX 04 - MADE IN CHINA