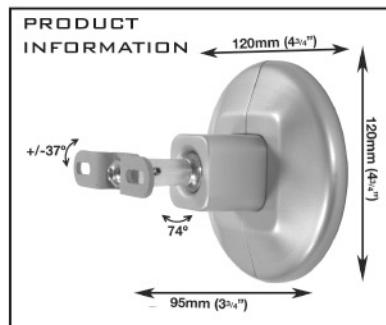


No	PART NAME	DESCRIPTION	QTY
a	WALL PLATE BRACKET	MOUNTS TO THE WALL	1
b	HOOK AND BALL MOUNT	HOOKS ONTO WALL PLATE	1
c	COVER PLATE HALF	PUSH FIT COVERS	2
d	SPEAKER ADAPTOR	FIXES TO BALL JOINT	1
e	M8*15 HEX BOLT	TIGHTENS BALL JOINT	1
f	M5*15 6-LOBE SCREWS	BALL JOINT TO HOOK PLATE	4
g	M8 SQUARE END ALLEN SCREW	VESA PLATE TO BALL JOINT	1
h	M8 SPRING WASHER	UNDER SQUARE SCREW	1
i	M8*OD16*T1.6 PLAIN WASHER	UNDER SPRING WASHER	1
j	M5*6 GRUB SCREW	LOCKS ALLEN SCREW (part g)	1
k	M4*12 ALLEN SCREW	HOOK PLATE TO WALL PLATE	1

No	PART NAME	DESCRIPTION	QTY
l	ID4 O RING (GREY)	HOLDS PART K CAPTIVE	1
m	M8*50 COACH SCREW	WALL PLATE TO THE WALL	4
n	M8*OD19 *T2 PLAIN WASHER	UNDER COACH SCREWS	4
o	10mm WALL PLUG	PUSH INTO HOLES IN WALL	4
p	13mm/10mm SPANNER	TO TIGHTEN BALL JOINT BOLT	1
q	2.5mm BALL ENDED ALLEN KEY	TO TIGHTEN PART J, K, L	1
r	5mm ALLEN KEY	TO TIGHTEN PART G	1
s	20mm SELF TAPPING SCREW	TO ATTACH SPEAKER TO PART D	2
t	M6 x 12mm SCREW	TO ATTACH SPEAKER TO PART D	2
u	M5 x L12mm SCREW	TO ATTACH SPEAKER TO PART D	2
v	1/4" UNC 5/8" SCREW	TO ATTACH SPEAKER TO PART D	2

LOUDSPEAKER WALL MOUNT
WITH TILT AND PIVOT
ASSEMBLY AND INSTALLATION

THIS PACK CONTAINS 1 WALL MOUNT.



• Max weight of Loudspeaker 15Kg (33lbs) • +/- 37° Tilt* • 74° Pivot* (*Subject to size of speaker)

Important Safety Instructions:

Do not install this product until the instructions and warnings have been read and understood thoroughly. Please keep these instructions for future reference.

Due to the weight of loudspeakers and their fragile nature, B-Tech recommends that a professional installer is used when mounting this bracket. If you do not understand the instructions provided, or are not sure how to install this product, please contact a professional for advice and / or to install this mount. Failure to mount this bracket correctly may lead to serious injury and / or death. Please pay careful attention to where this mount is located. Some walls are not suitable for installation. If you install this mount on drywall it must be anchored into a wood stud, concrete block or brick behind the drywall. It is not suitable for securing to steel studs or weak concrete / brick. Installing on drywall alone will not support the weight of a large speaker. Ensure sufficient space and safety distance is allowed when installing this product. If installing in a public area, or over the likely path of pedestrians, this product should be mounted as far as possible from the public / pedestrians.

When drilling holes it is particularly important to take care of electrical cables, water or gas pipes in the wall. It is important that all fixing screws supplied are used. If the fixing screws included for mounting this product are not sufficient for the wall or speaker, please consult your local hardware store.

The speaker attached must weigh no more than the recommended weight of 15 Kg (33lbs). This mount must be mounted on a wall horizontally to prevent free motion due to the weight of the speaker when adjusting the position. If there is any doubt, consult the instruction manual of your loudspeaker. Proper attention should be paid when laying the connecting cables so that they do not cause a hazard. Pay careful attention to moving parts of the bracket, especially when assembling and adjusting, as fingers (or other body parts) may become trapped. The speaker may have free motion due to its own weight. It is recommended that periodic inspections are made of the mount to ensure that there is no change to the fixings or mount. When cleaning the mount, use dry cloth only. B-Tech International Limited, its distributors and dealers are not liable or responsible for damage or injury caused by improper installation, improper use or failure to observe these safety instructions. In such cases any guarantee will expire.



CAUTION:

This wall mount is intended for use only with the maximum weights indicated. Use with heavier than the maximum weights indicated may result in instability causing possible injury



BETTER BY DESIGN™

BT38

LOUDSPEAKER WALL MOUNT WITH TILT & PIVOT

ASSEMBLY & INSTALLATION
(Parts list on back page)

COPYRIGHT 2006
B-TECH INTERNATIONAL LTD

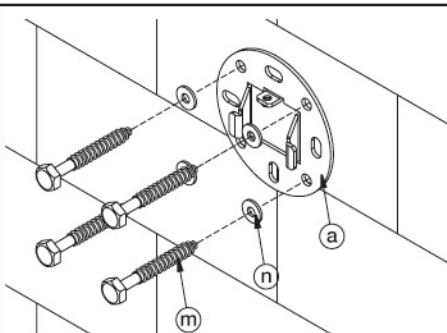
1

Choose a suitable location for wall mount (**part a**). Use all 4 M8 coach screws (**part m**) washers (**part n**) and wall plugs (**part o**) provided and distribute as evenly as possible to spread the load.

Use a 10mm (3/8") drill bit to make holes for wall plugs

This wall mount has been designed with mounting holes large enough to be drilled through, allowing one wall screw to be mounted before the other 3 holes being drilled.

(If unsure about mounting this product, please consult a professional installer).

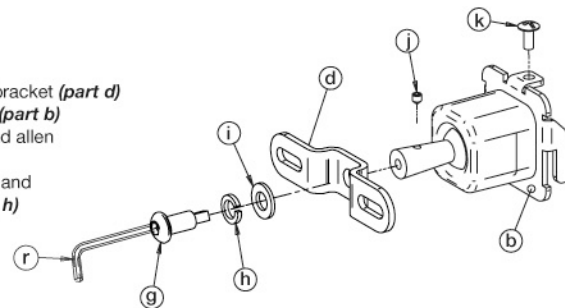


2

Assemble speaker bracket (**part d**) to ball joint bracket (**part b**) using the square end allen screw (**part g**) with washer (**part i**) and spring washer (**part h**)

Once securely attached, fasten grub screw (**part j**) into ball joint arm (**part h**).

(This will stop speaker bracket plate from unnecessarily rotating once mount is installed).



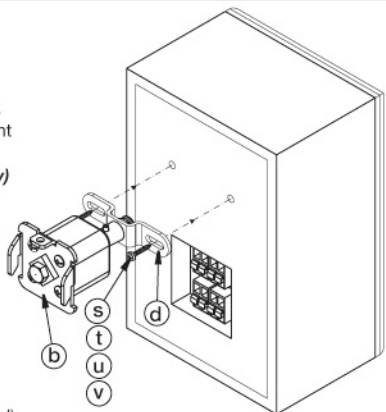
3

Attach speaker bracket to rear of speaker. Depending on the type of speaker, different screws may be required.

The fixing screws supplied (**parts s, t, u, v**) may not be suitable for the speaker, ensure correct fixing screws are used when mounting the bracket.

The screws used should be suitable for both the material (wood, chipboard, plastic etc.) and thickness of rear panel on speaker and also be able to support the weight of the speaker.

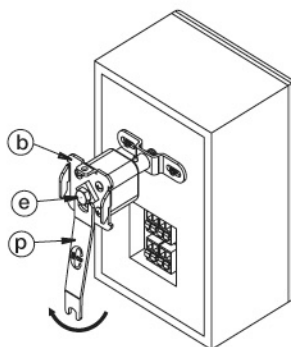
(If unsure of the correct speaker fixings please consult the speakers owner manual).



4

Using spanner (**part p**) adjust the M8 bolt (**part e**) on rear of ball joint arm to the required tension.

The stiffness of arm should be able to hold the weight of the speaker without any free motion yet be able to rotate the speaker when minimum force is applied.

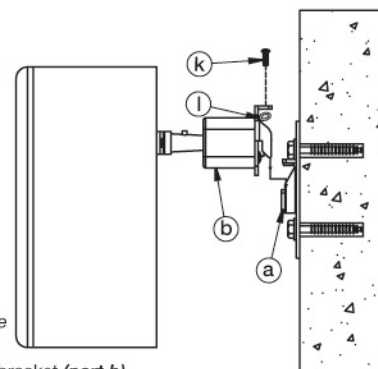


5

Insert M4 allen screw (**part k**) into the top of ball joint bracket (**part b**).

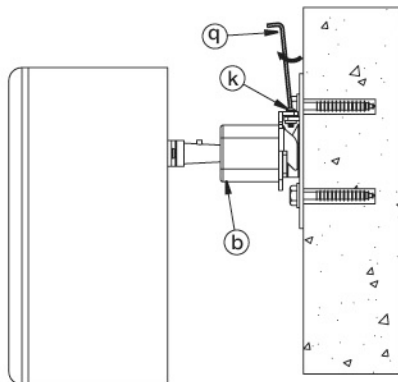
The rubber ring (**part l**) should be placed underneath the hole to hold locking screw in place before being fastened. (This part may come pre-assembled)

Hook speaker and bracket (**part b**) onto wall mount (**part a**).



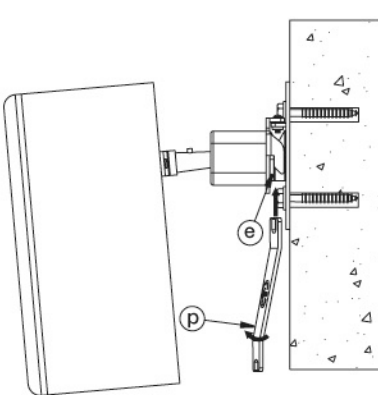
6

Once speaker is secured to wall mount (**part a**). Fasten locking screw (**part k**) with long ball-end allen key (**part q**). (This prevents easy removal of speaker).



7

The Aviball arm allows the speaker to move freely 37° in any direction. Once speaker is adjusted to preferred angle, use the spanner (**part p**) to make a small adjustment of the M8 bolt (**part e**) to lock speaker in position.



8

To complete installation attach the two halves of the coverplates (**part c**) over the wall mount (**part a**).

