



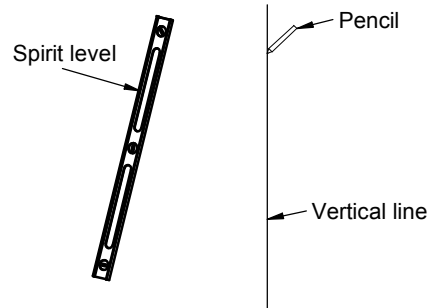
# BT7070-150

LENGTH = 1.5M

## ALUMINIUM CABLE MANAGER

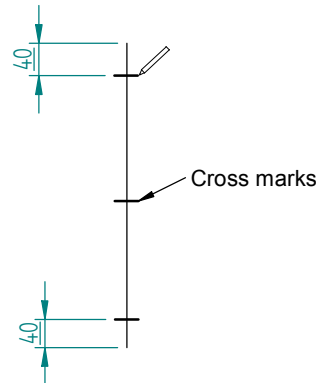
### INSTALLATION INSTRUCTIONS

1



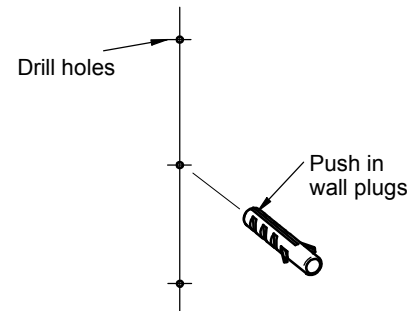
Draw a pencil line on the wall where you wish the centre of the cable manager to be. Use a long spirit level to ensure this line is vertical.

2



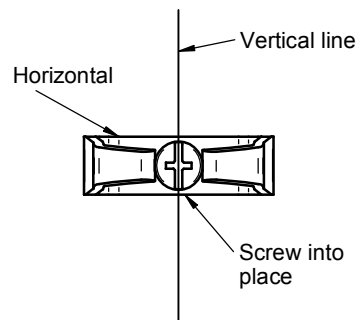
Mark across the line where you want to position the wall clips. There should be a wall clip 40mm from each end with the others equally spaced between them.

3



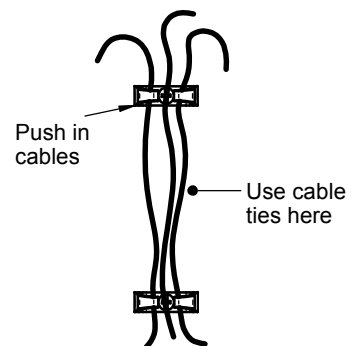
Where marked, drill a hole for each wall clip using a 6mm drill bit to a depth of 35mm. Insert a wall plug into each hole so that they are flush with the wall surface.

4



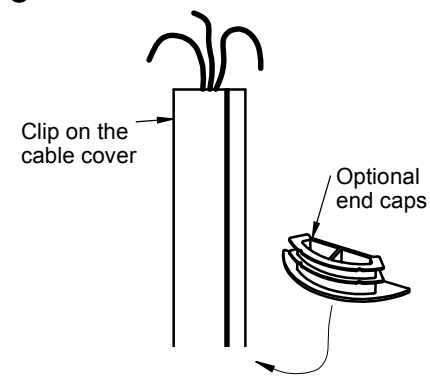
Screw each wall clip into place using a cross head screwdriver. Ensure they are central to the line and horizontal in orientation as shown.

5

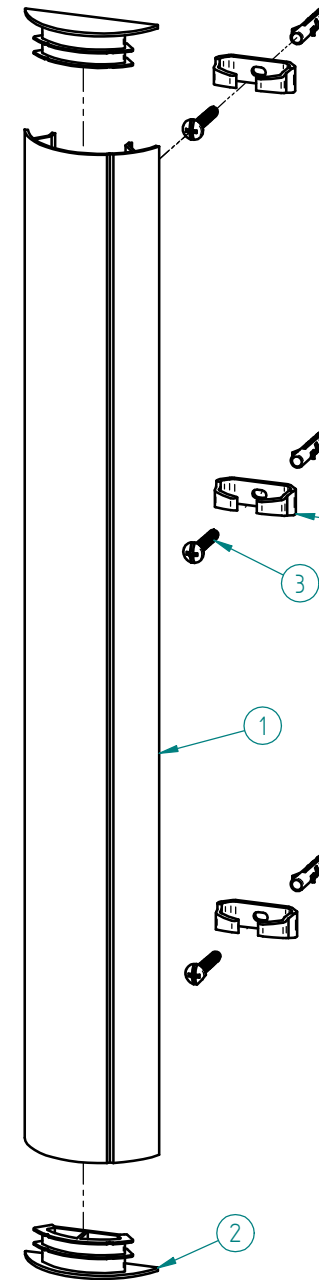


Push cables through the gap in the front of the wall clips so they are retained. Use the cable ties to help group the cables at points inbetween the wall clips. Trim off excess.

6



Finally push on the cable cover so that it clips into place. If cables enter or exit through a hole in the wall, you may push-in one or both of the plastic end caps.



Ideal for use with B-Tech XL range of interconnect cables

Please keep these instructions for future reference

#### PARTS LIST

No	PART NAME	QTY
1	CABLE COVER	1
2	END CAP	2
3	30mm SCREWS	3
4	WALL CLIPS	3
5	WALL PLUG	3
6	CABLE TIE	3

B-Tech International Ltd, 4 Meridian Centre, New Addington, Croydon, CRO 9UG, UK. Tel: +44 (0)844 800 0445 Fax: +44 (0)844 800 0446 Email: info@b-tech-int.com

B-Tech PRO-AV bvba, Brixtonlaan 32, Zaventem 1930, Brussels, Belgium. Tel: +32 (0)2 720 92 71 Fax: +32 (0)2 725 42 15 Email: info@btechproav.com

B-Tech Audio Video Mounts, Buffalo, NY 14215, USA. Tel: (1)800 975 5812 Fax: (1)800 592 2876 Email: info@btechavmounts.com

B-Tech International (Hong Kong) Ltd, 23rd Floor, Manulife Tower, 169 Electric Road, North Point, HK. Tel: (+852) 2556 7337 Fax: (+852) 2556 7321 Email: info@b-tech-int.com.hk

[www.btechavmounts.com](http://www.btechavmounts.com)