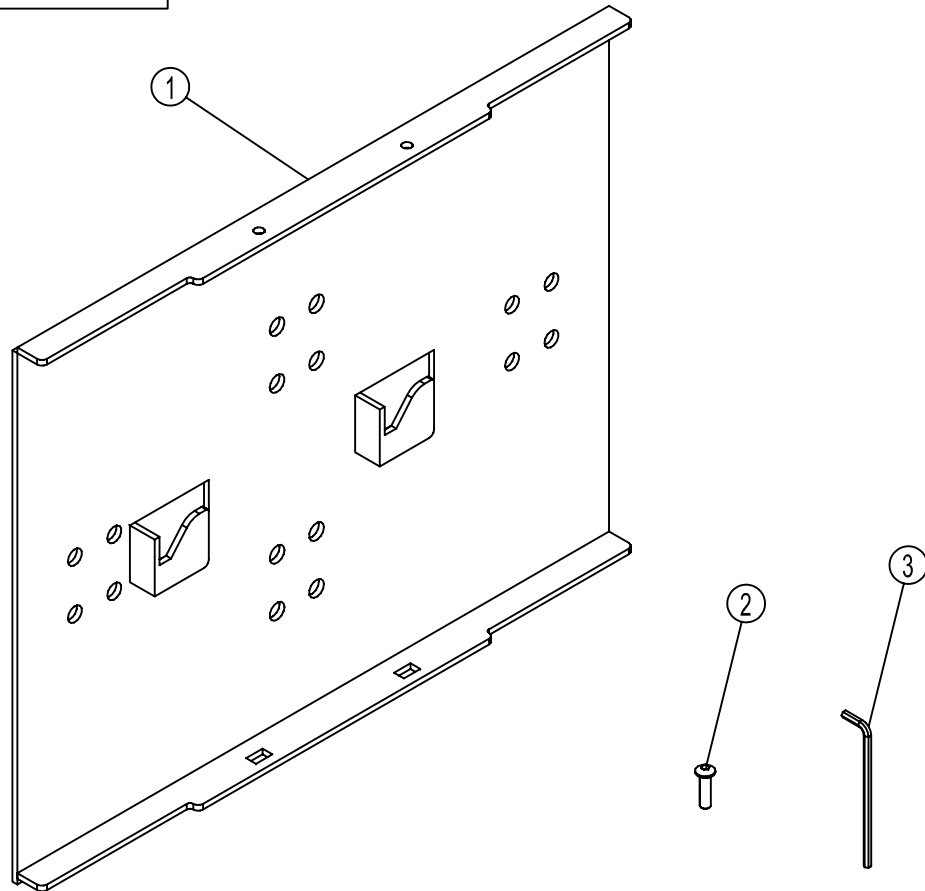


FLAT SCREEN MOUNTING PLATE

BTX 26

THIS PACK CONTAINS 1 WALL BRACKET.
PLEASE KEEP THIS PARTS LIST FOR FUTURE REFERENCE

THIS MOUNTING PLATE IS DESIGNED FOR USE WITH B-TECH EXHIBITION INTERFACE BRACKETS (BTX24H OR BTX24V) OR B-TECH ACCESSORY COLLARS. FOR MOUNTING B-TECH FLAT SCREEN INTERFACE KITS: BT8500, BT8600 OR BT7507.



PART NUMBER	PART NAME	QUANTITY
1	MOUNTING PLATE	1
2	M5 x 12mm SECURITY ALLEN SCREW	4
3	M4 SECURITY ALLEN KEY	1

(C) 2006 B-Tech International Ltd. All rights reserved. B-Tech and Better by Design are registered trademarks of B-Tech International Ltd. All other brand and product names are trademarks of their respective owners. B-Tech International Ltd, its distributors and dealers are not responsible for damage or injury caused by improper installation, improper use, modifications, installations over the specified weight capacity and/or failure to observe these safety instructions. In such cases, any warranty will expire. It is recommended that this product should only be installed by a qualified professional / installer. B-Tech does not claim any liability for any difficulties that may arise from the interpretation of information contained in these instructions. Failure to mount this product correctly may lead to serious injury and/or death. Please check carefully to make sure there are no missing or defective parts - defective parts must never be used. In the event of missing and/or defective parts, or technical questions, please contact an authorised dealer.

For more information on B-Tech Audio Video Mounts please visit: www.btechavmounts.com